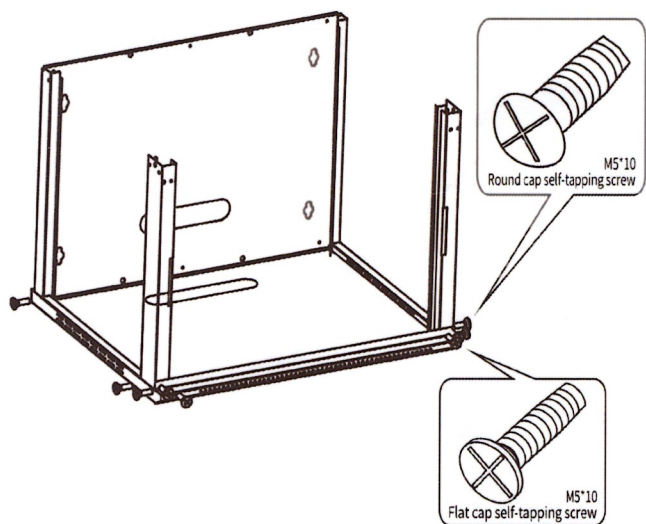
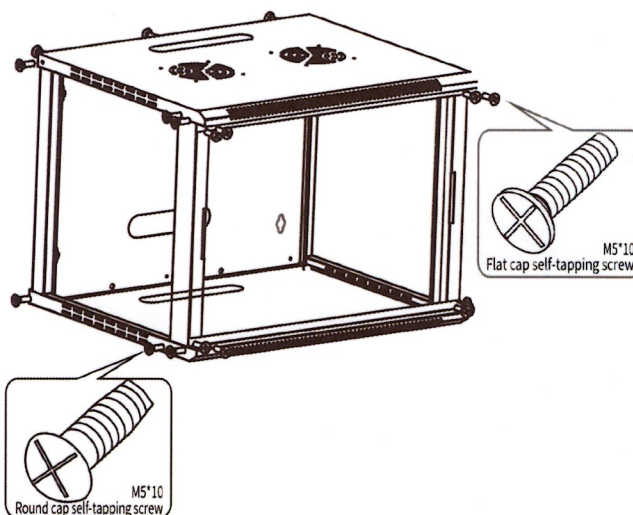


# Assembly instructions



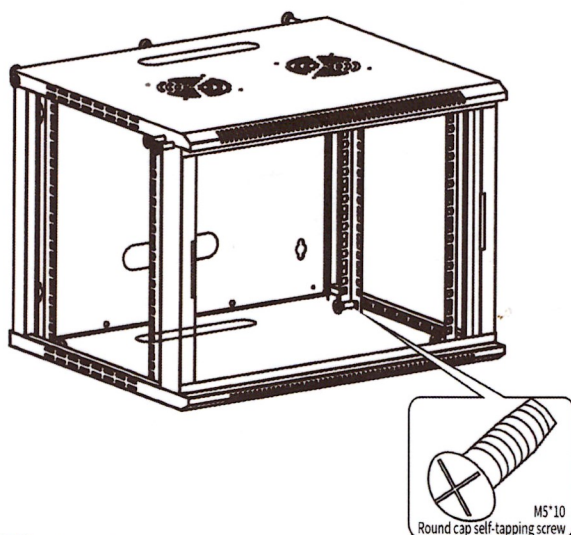
## Step 1:

Assembling the rear & bottom and front frame with Round cap self-tapping screw. With the Flat cap self-tapping screw fix the front frame and bottom.



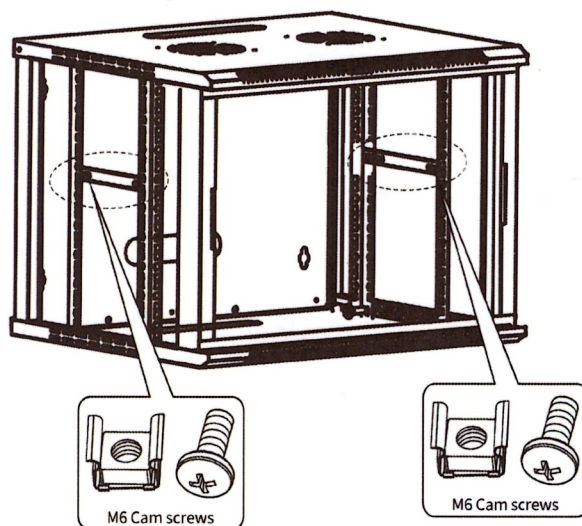
## Step 2:

Assembling the top cover with self-tapping. With the Flat cap self-tapping screw fix the front frame and top cover.



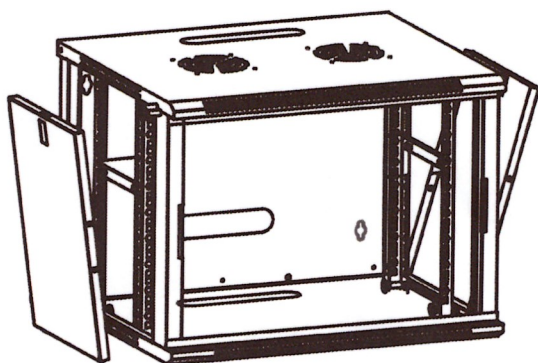
## Step 3:

Fix the frame with Round cap self-tapping screw.



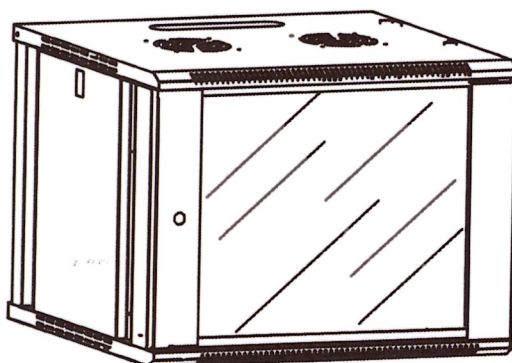
## Step 4:

Fix the bracket with of M6 Cam screws. **If without bracket please disregard this step.**



## Step 5:

Fix the side door (panel).



## Step 6:

Lastly install the front door. Fix the lock on the front door.

**Complete! Thank you!**